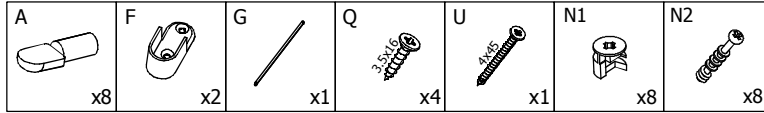
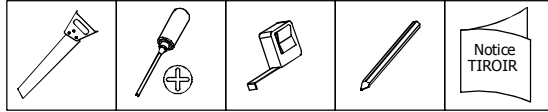
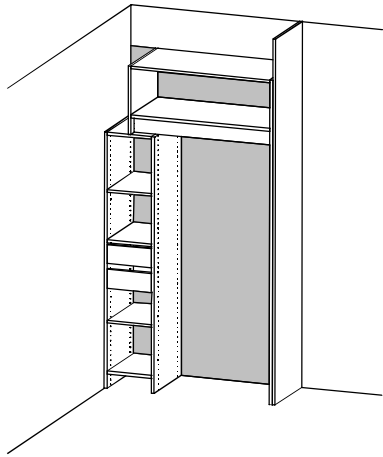


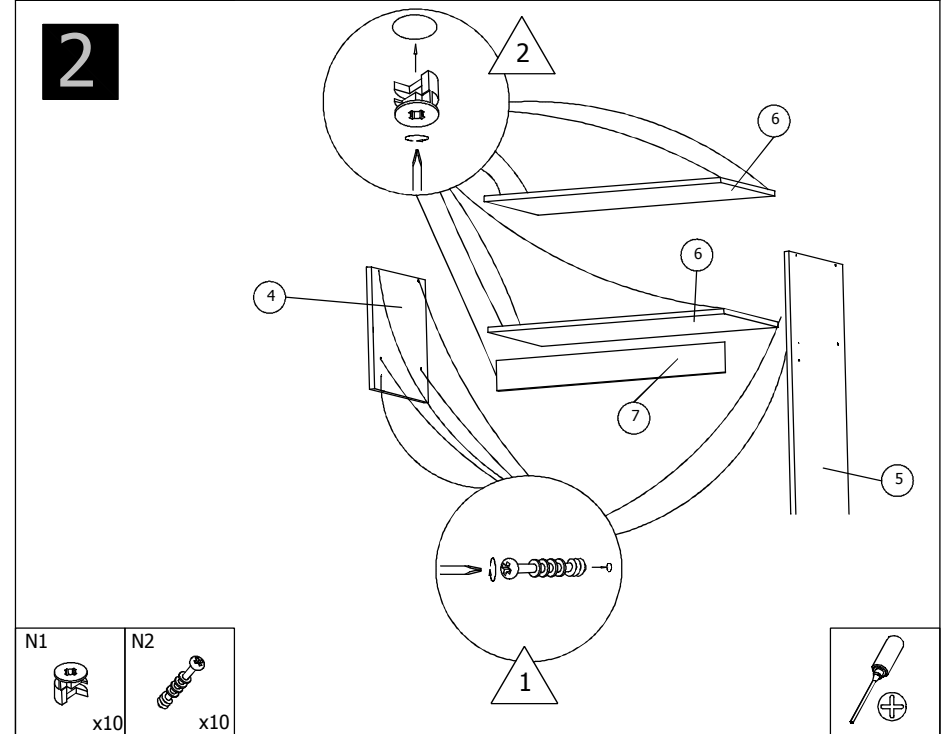
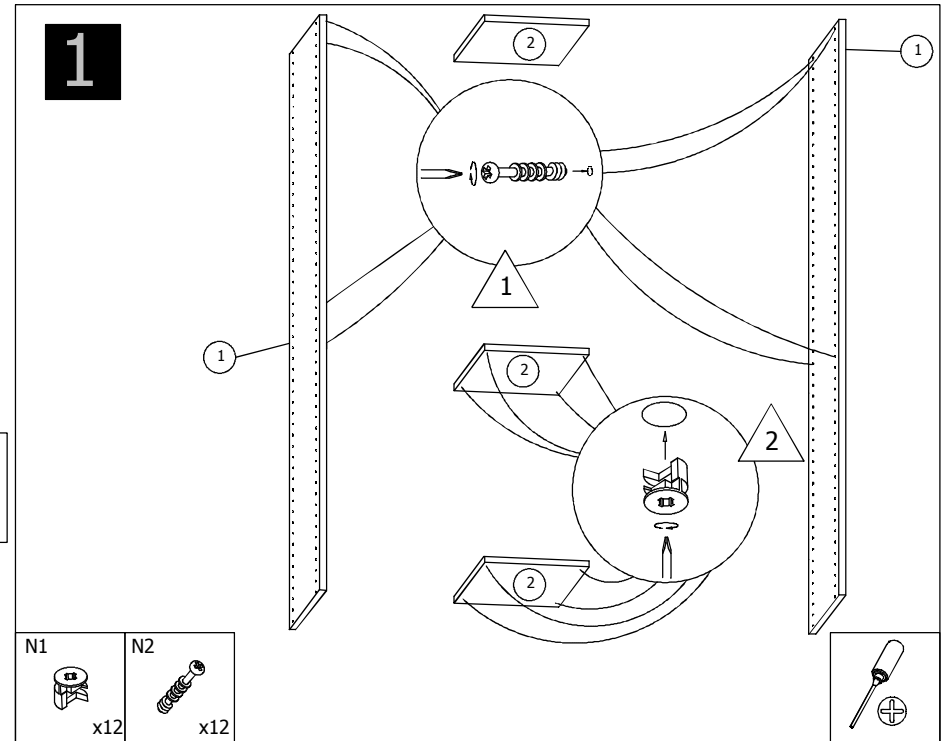
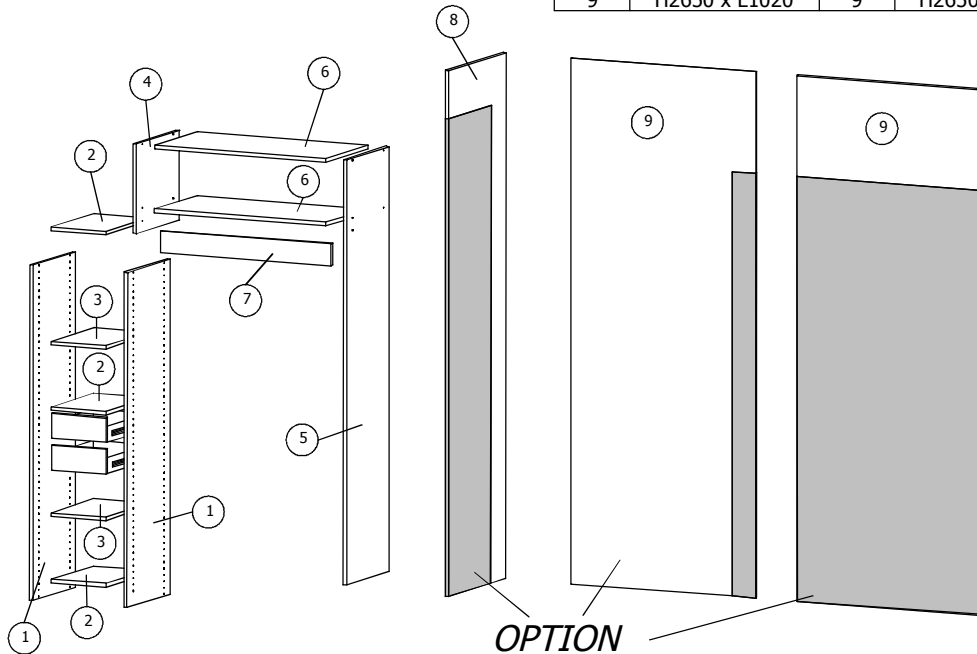
# MODULAIRE

NOTICE  
DE POSE  
N° MO3  
JUN 2013

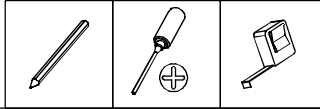
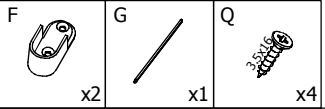
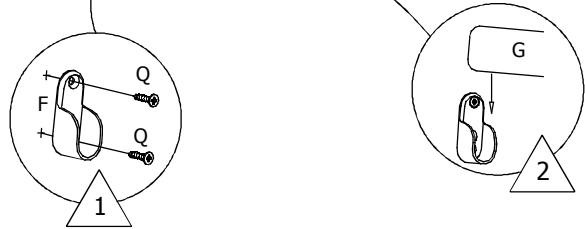
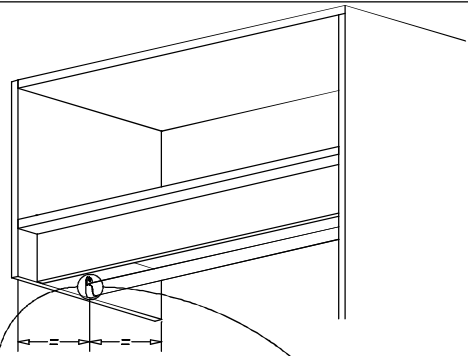
## ASTUCIO



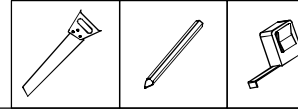
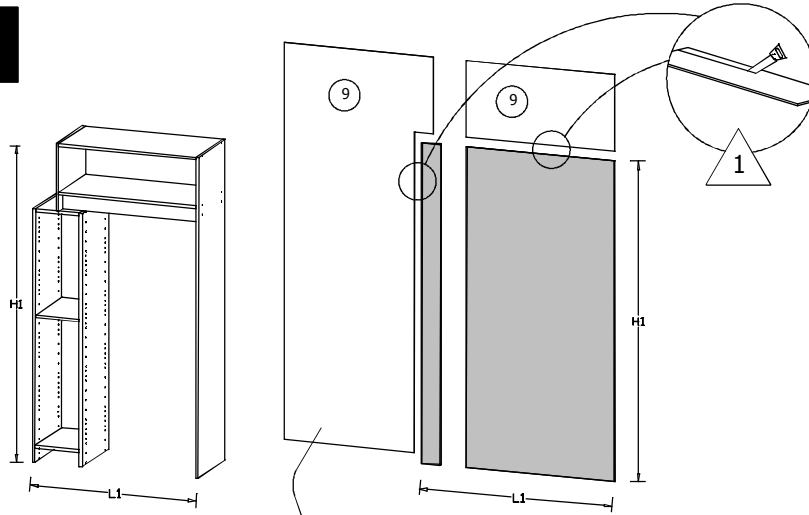
ELEMENTS			
Astucio 9.12		Astucio 12.18	
N°	dimensions	N°	dimensions
1	H1940 x P480	1	H1940 x P480
2	L302 x P480	2	L602 x P480
3	L302 x P480	3	L602 x P480
4	H384 x P480	4	H384 x P480
5	H2324 x P480	5	H2324 x P480
6	L942 x P480	6	L1242 x P480
7	H76 x L942	7	H76 x L1242
8	H2650 x L650	8	H2650 x L650
9	H2650 x L1020	9	H2650 x L1020



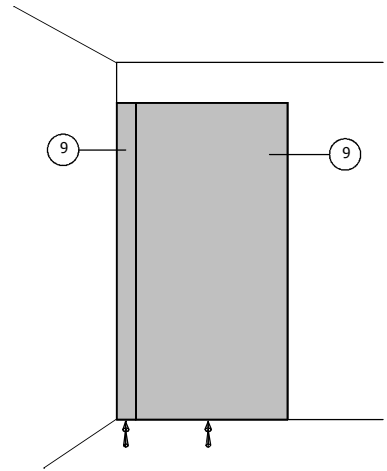
3



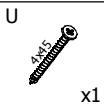
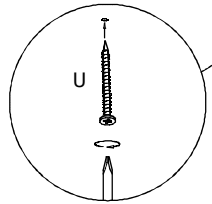
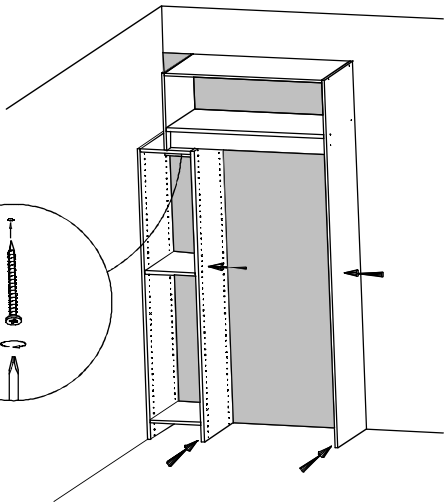
4



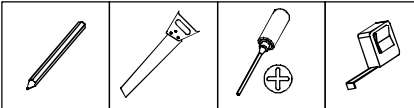
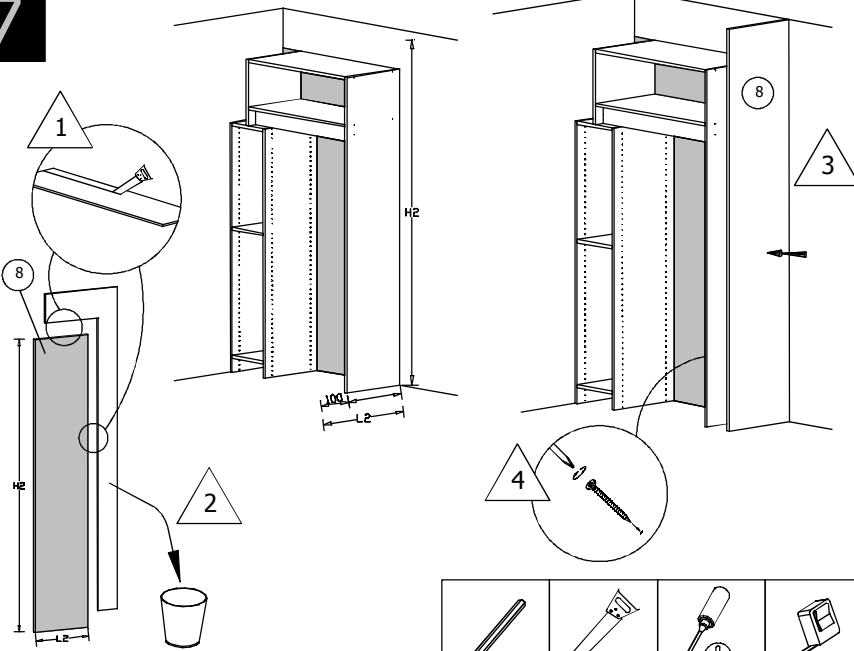
5



6



7



8

